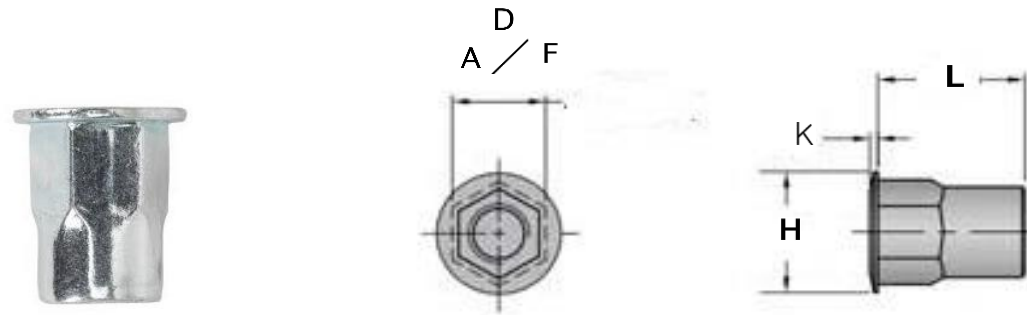


## Steel Large Head Half Hexagon Open End Rivet Nut



Steel Large Head Half Hexagon Open End Rivet Nut						
	Grip Range	L	H	K	D-A/F	Hole Size A/F +0.2 / -0.0
M6	0.5 - 3.0	14.50	13.00	1.50	8.90	9.10
M8	0.5 - 3.0	16.50	16.00	1.50	10.90	11.10
M12	1.0 - 4.0	25.00	23.00	2.00	15.90	16.10

Material: Steel Zinc Plated (CR3)

INFORMATION AND DRAWINGS PROVIDED ARE FOR REFERENCE ONLY